

STR-DA30ES/DA50ES/V55ES

SERVICE MANUAL



Photo : STR-DA50ES

US Model
Canadian Model
STR-DA30ES/DA50ES
AEP Model
UK Model
E Model
Australian Model
PX Model
STR-DA50ES
Chinese Model
STR-V55ES

Manufactured under license from Dolby Laboratories Licensing Corporation.

DOLBY, the double-D symbol $\square\square$, AC-3, the Dolby Digital and "PRO LOGIC" are trademarks of Dolby Laboratories Licensing Corporation.

SPECIFICATIONS

AUDIO POWER SPECIFICATIONS

POWER OUTPUT AND TOTAL HARMONIC DISTORTION:

With 8 ohm loads, both channels driven, from 20 - 20,000 Hz; rated 120 watts (80 watts: DA30ES) per channel minimum RMS power, with no more than 0.05% total harmonic distortion from 250 milliwatts to rated output (USA model only).

Amplifier section

POWER OUTPUT

Stereo mode	(8 ohms 20 Hz - 20 kHz, THD 0.05%) 120 W + 120 W (DA50ES/V55ES) 80 W + 80 W (DA30ES) (4 ohms 20 Hz - 20 kHz, THD 0.05%) 100 W + 100 W (DA50ES/V55ES) 70 W + 70 W (DA30ES)
Surround mode	(8 ohms at 1 kHz, THD 0.05%) Front: 120 W + 120 W (DA50ES/V55ES) 80 W + 80 W (DA30ES) Center ^{a)} : 120 W (DA50ES/V55ES) 80 W (DA30ES) Rear ^{a)} : 120 W + 120 W (DA50ES/V55ES) 80 W + 80 W (DA30ES) (4 ohms at 1 kHz, THD 0.05%) Front: 100 W + 100 W (DA50ES/V55ES) 70 W + 70 W (DA30ES) Center ^{a)} : 100 W (DA50ES/V55ES) 70 W (DA30ES) Rear ^{a)} : 100 W + 100 W (DA50ES/V55ES) 70 W + 70 W (DA30ES)

a) Depending on the sound field settings and the source, there may be no sound output.

Frequency response

PHONO: RIAA

equalization curve ± 0.5 dB

CD, TAPE, MD/DAT, DVD/LD, DVD TV/DBS, TV/LD, VIDEO 1, 2, and VIDEO 3:

10 Hz - 50 kHz $+0.5/-2$ dB (with sound field, tone, and bass booster bypassed)

Inputs (Analog) PHONO:

Sensitivity: 2.5 mV

Impedance: 50 kilohms

S/N^{b)}: 75 dB (A, 2.5 mV^{c)})

CD, DVD/LD, DVD/TAPE, MD/DAT, TV/

DBS, TV/LD, 5.1 INPUT, VIDEO 1, 2, AND VIDEO 3:

Sensitivity: 150 mV

Impedance: 50 kilohms

S/N^{b)}: 82 dB (A, 150 mV^{c)})

b) 78' IHF

c) Weighted network, input level

Inputs (Digital) DVD/LD, DVD (coaxial):

Sensitivity: 0.5 Vp-p

Impedance: 75 ohms

S/N: 100 dB (A, 20 kHz LPF)

CD, DVD/LD, DVD, TV/DBS,

TV/LD, MD/DAT (Optical):

S/N: 100 dB (A, 20 kHz LPF)

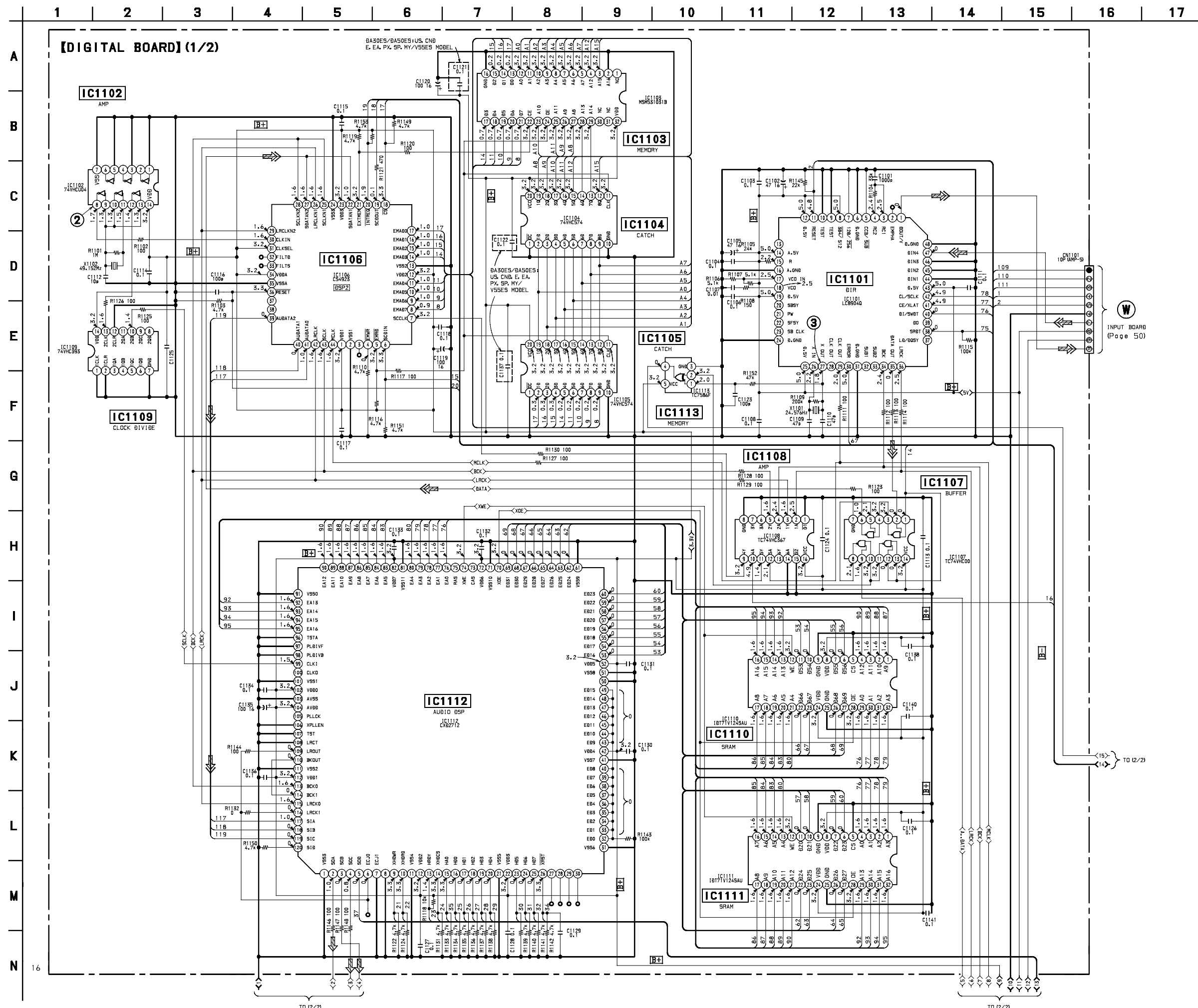
— Continued on next page —

FM STEREO FM-AM RECORDER



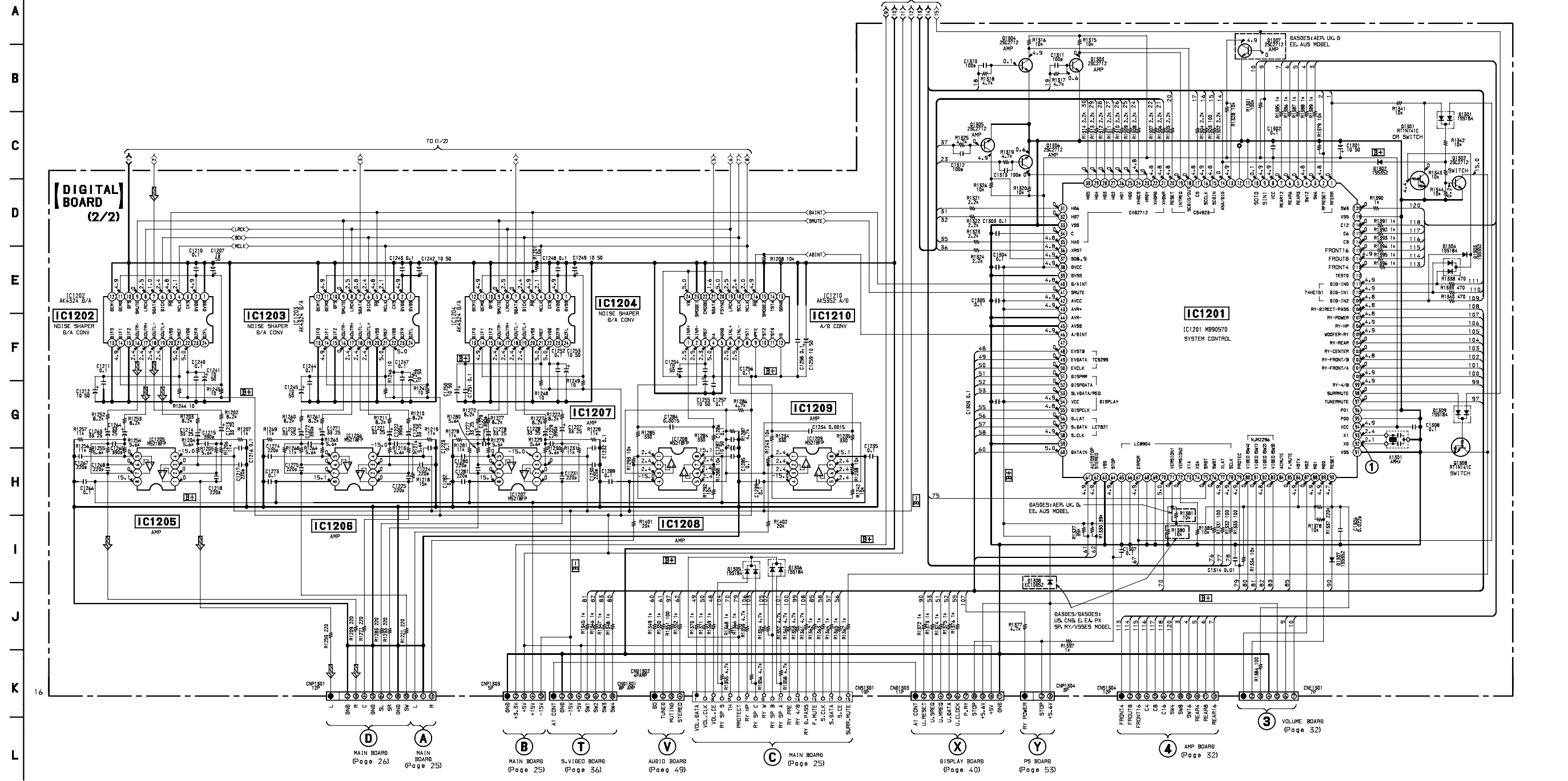
SONY®

4-5. SCHEMATIC DIAGRAM — DIGITAL SECTION (1/2) — • See page 21 for printed wiring board. • See page 66, 67 for IC Pin Functions. • See page 16 for Waveforms. • See page 57 for IC Block Diagrams.

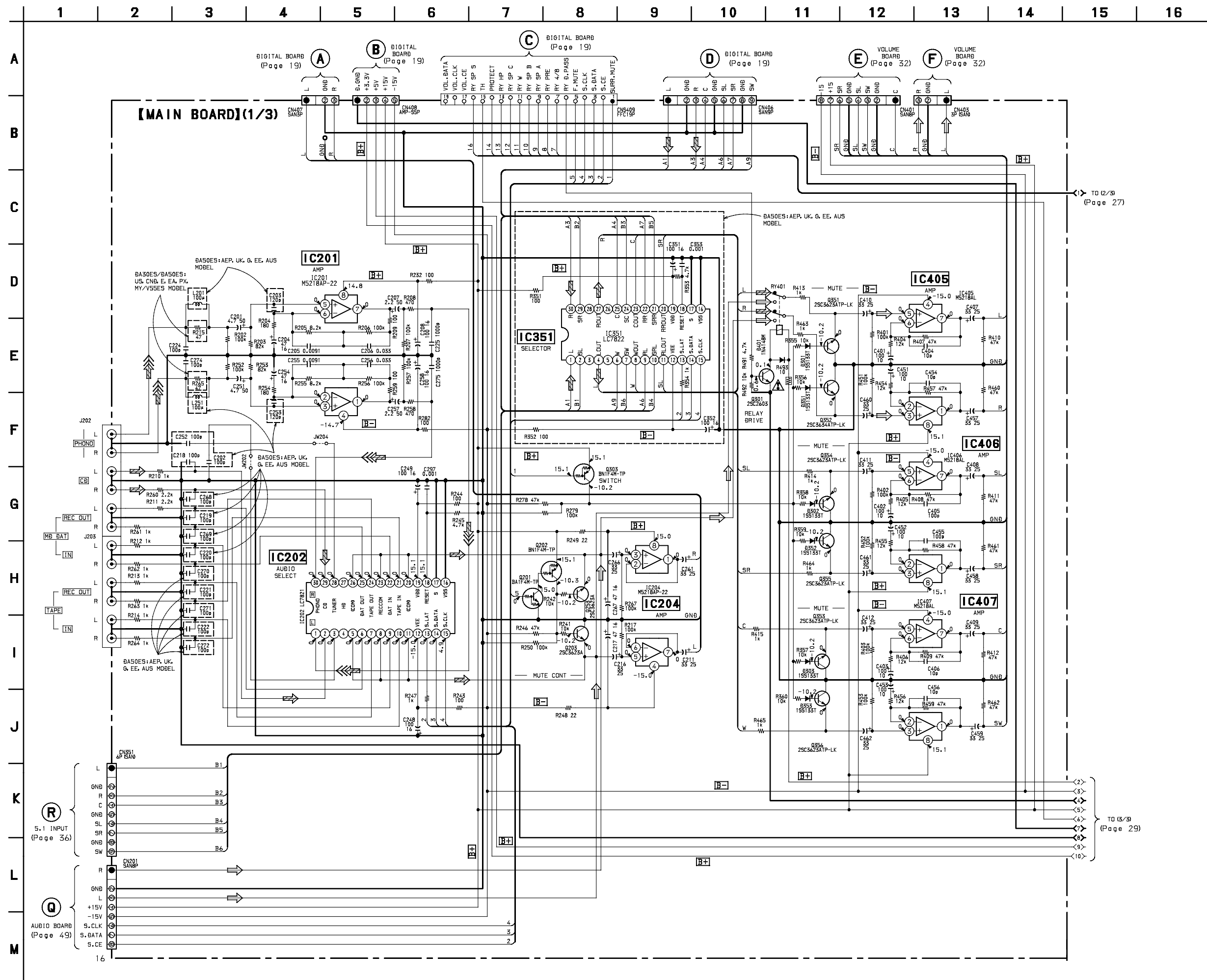


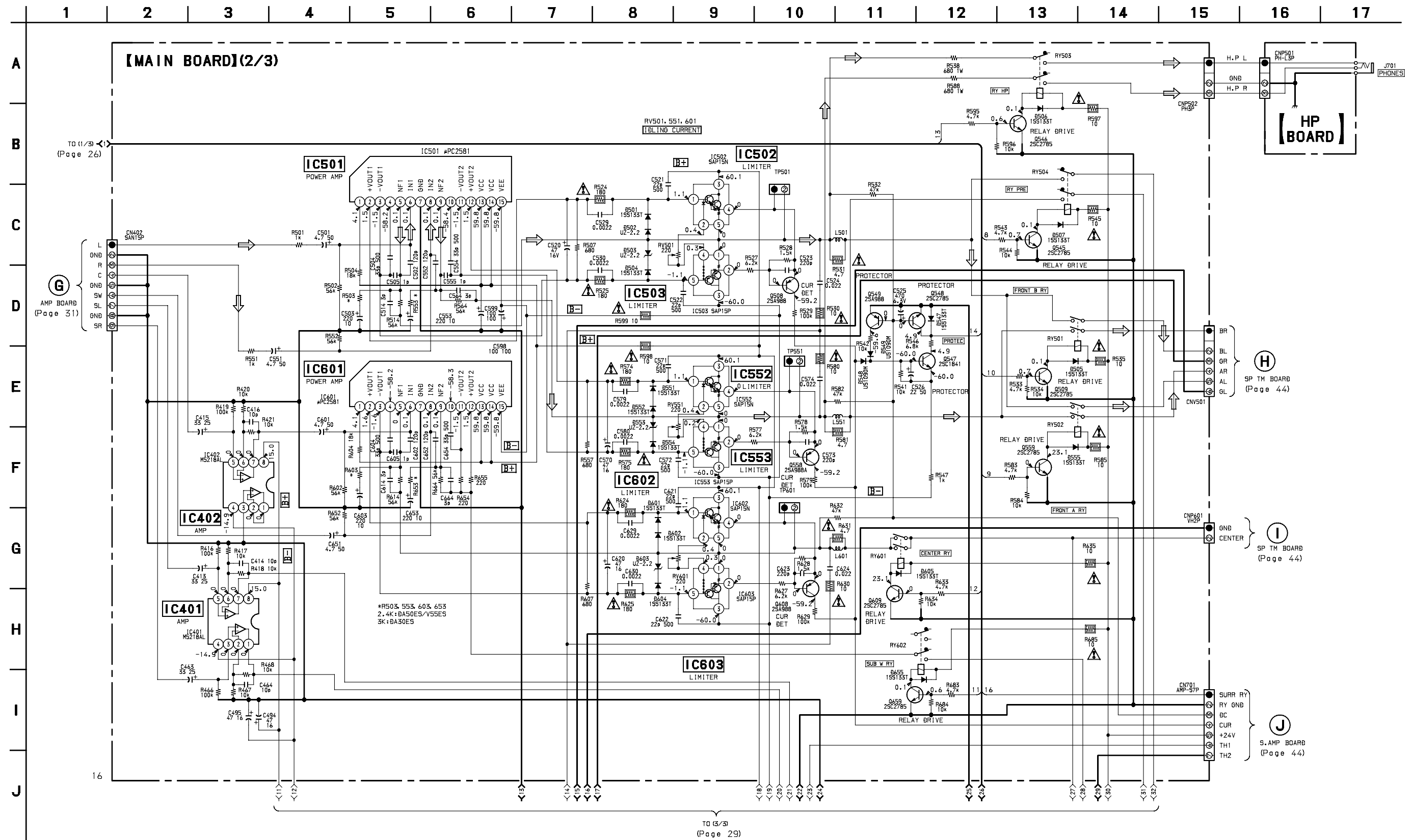
W INPUT BOARD (Page 50)

1 2 3 4 5 6 7 8 9 10 11 12 13 14 15 16 17 18 19 20 21 22 23



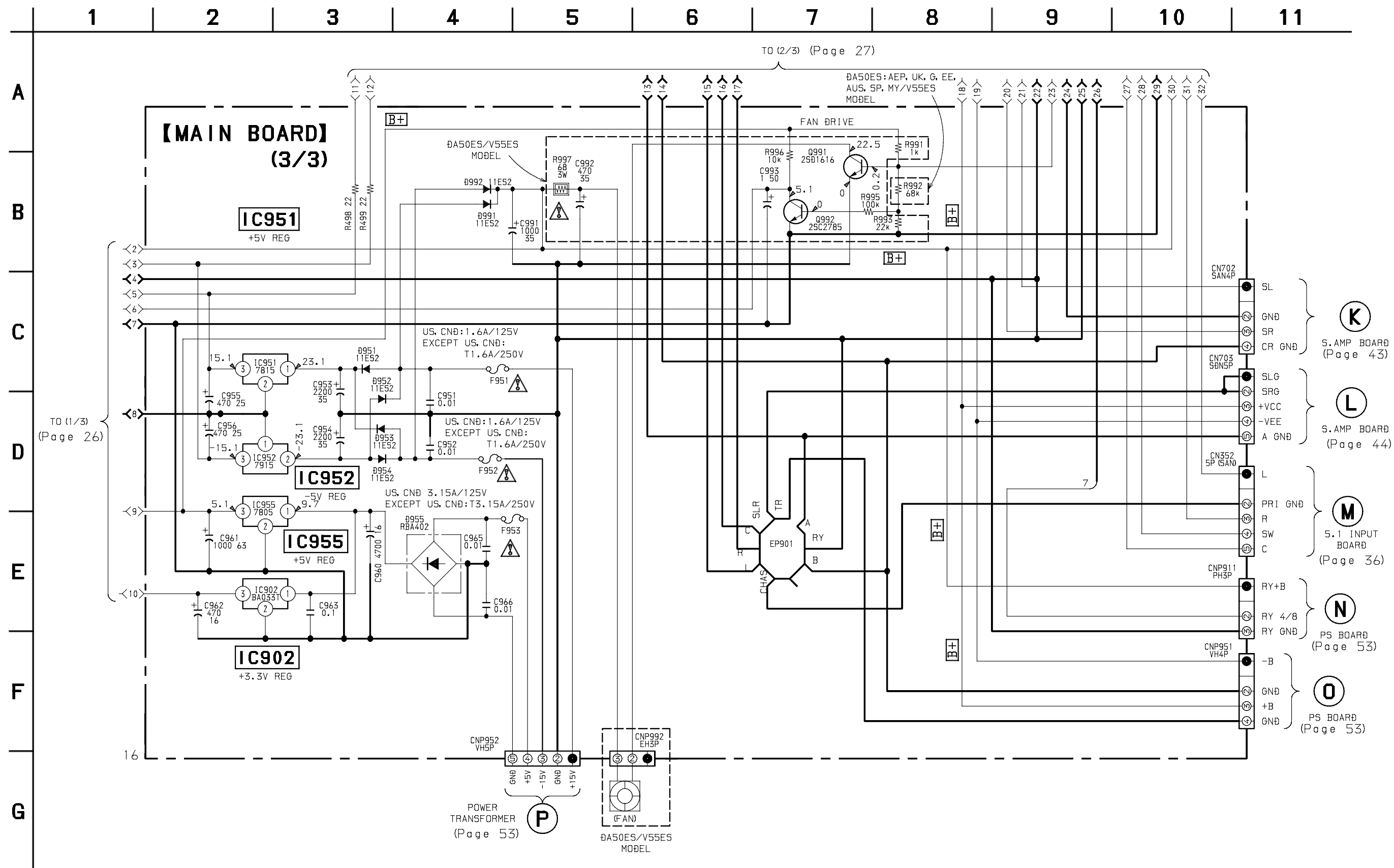
4-9. SCHEMATIC DIAGRAM — MAIN SECTION (1/3) — • See page 59 for IC Block Diagrams.





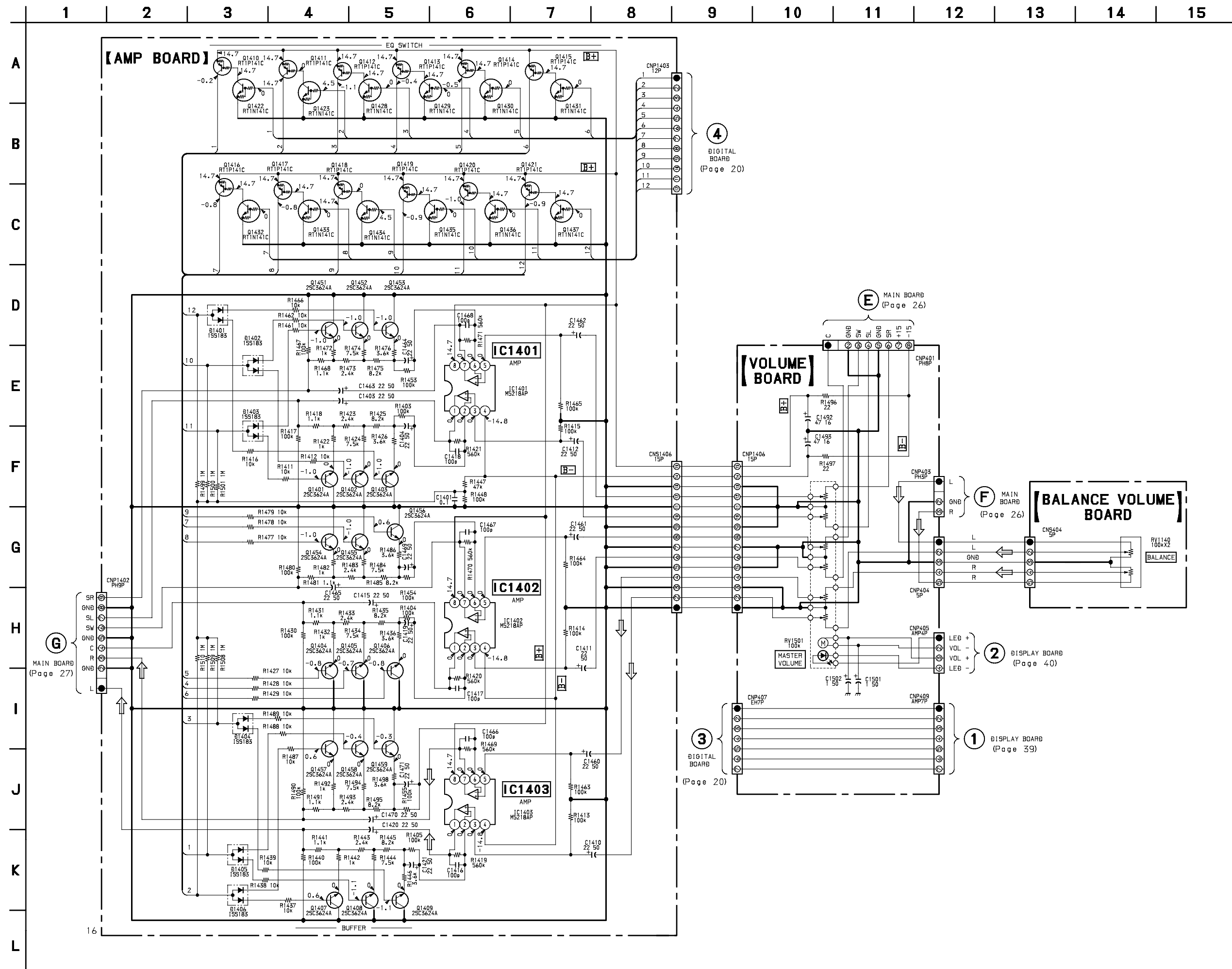
<p>以阴影和 Δ 标志来识别的零部件，在安全方面具有关键性，因此只能以规定号码的零部件来更换。</p>	<p>Note: The components identified by mark Δ or dotted line with mark Δ are critical for safety. Replace only with part number specified.</p>	<p>Note: Les composants identifiés par une marque Δ sont critiques pour la sécurité. Ne les remplacer que par une pièce portant le numéro spécifié.</p>
--	--	--

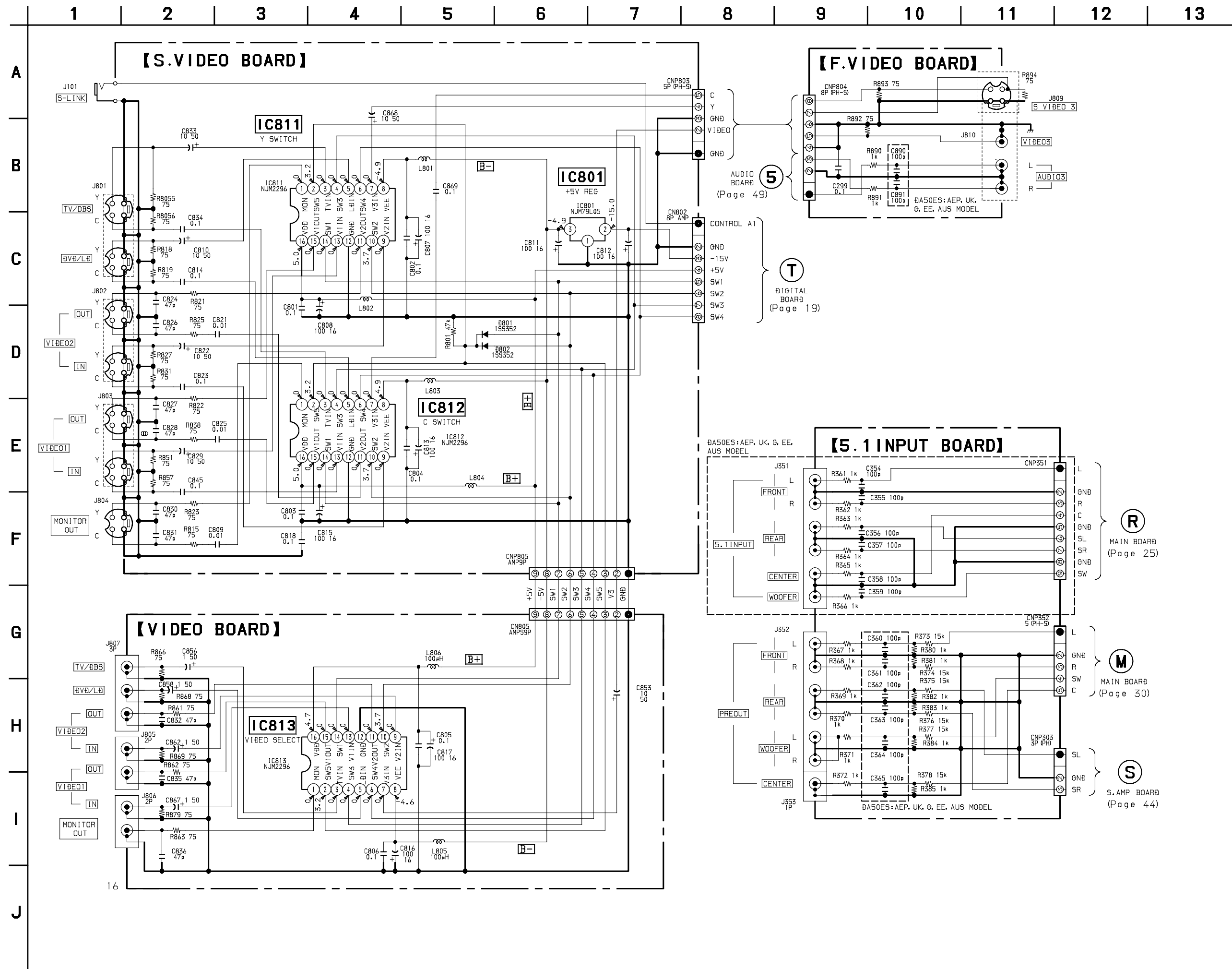
4-11. SCHEMATIC DIAGRAM — MAIN SECTION (3/3) — • See page 23 for Printed Wiring Board.



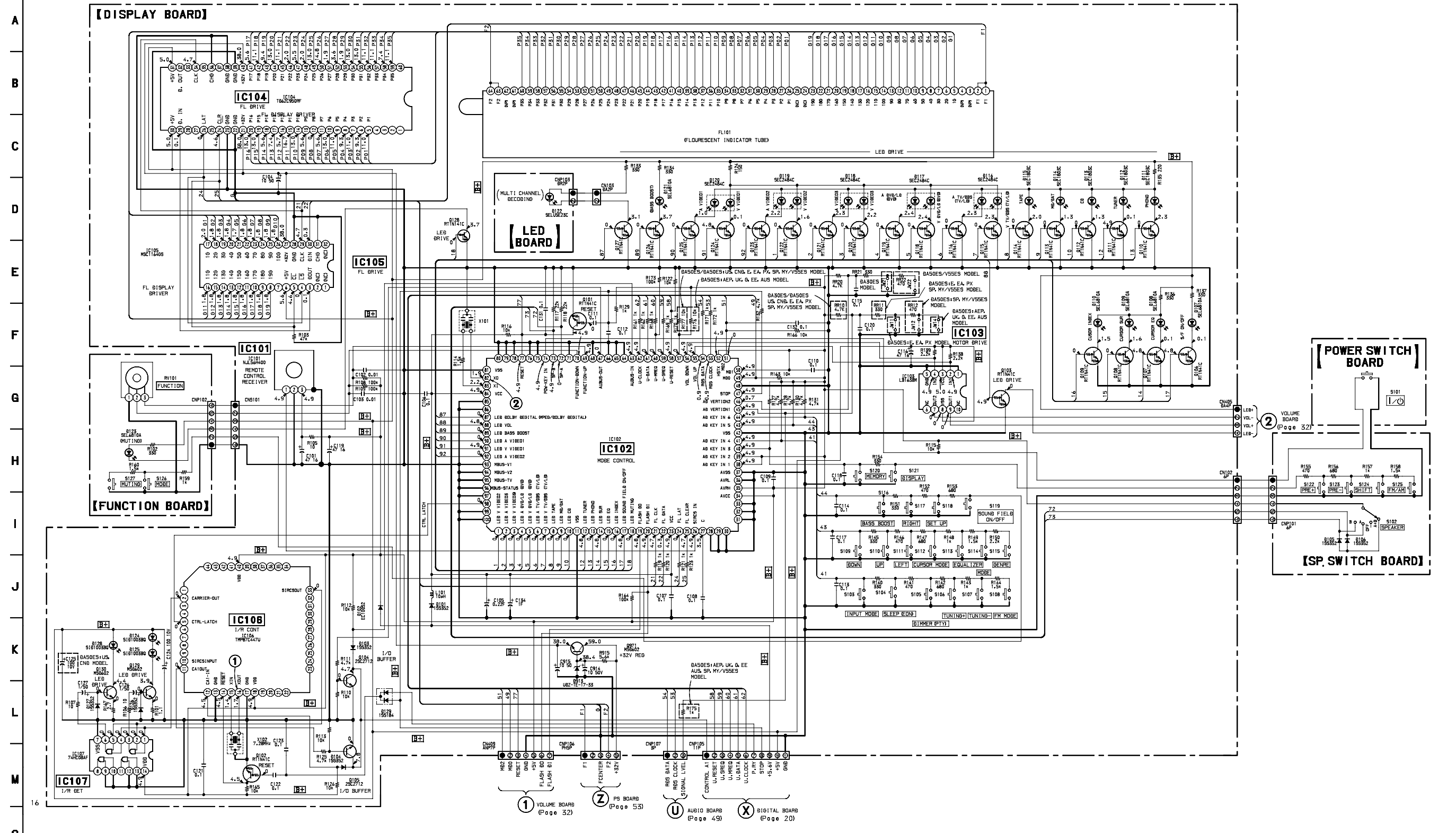
<p>以阴影和 Δ 标志来识别的零部件，在安全方面具有关键性。因此只能以规定号码的零部件来更换。</p>	<p>Note: The components identified by mark Δ or dotted line with mark Δ are critical for safety. Replace only with part number specified.</p>	<p>Note: Les composants identifiés par une marque Δ sont critiques pour la sécurité. Ne les remplacer que par une pièce portant le numéro spécifié.</p>
--	--	--

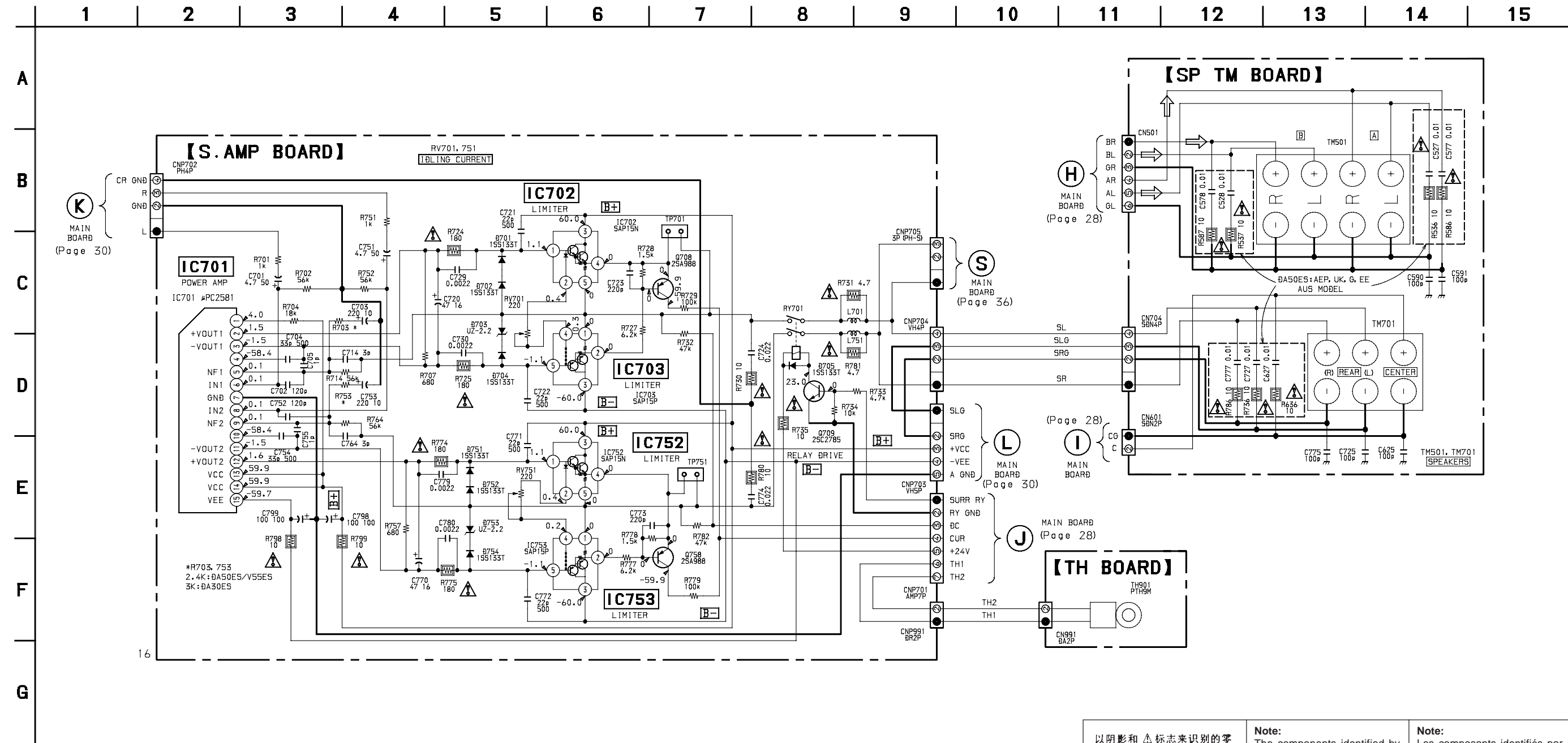
4-12. SCHEMATIC DIAGRAM — AMP SECTION —



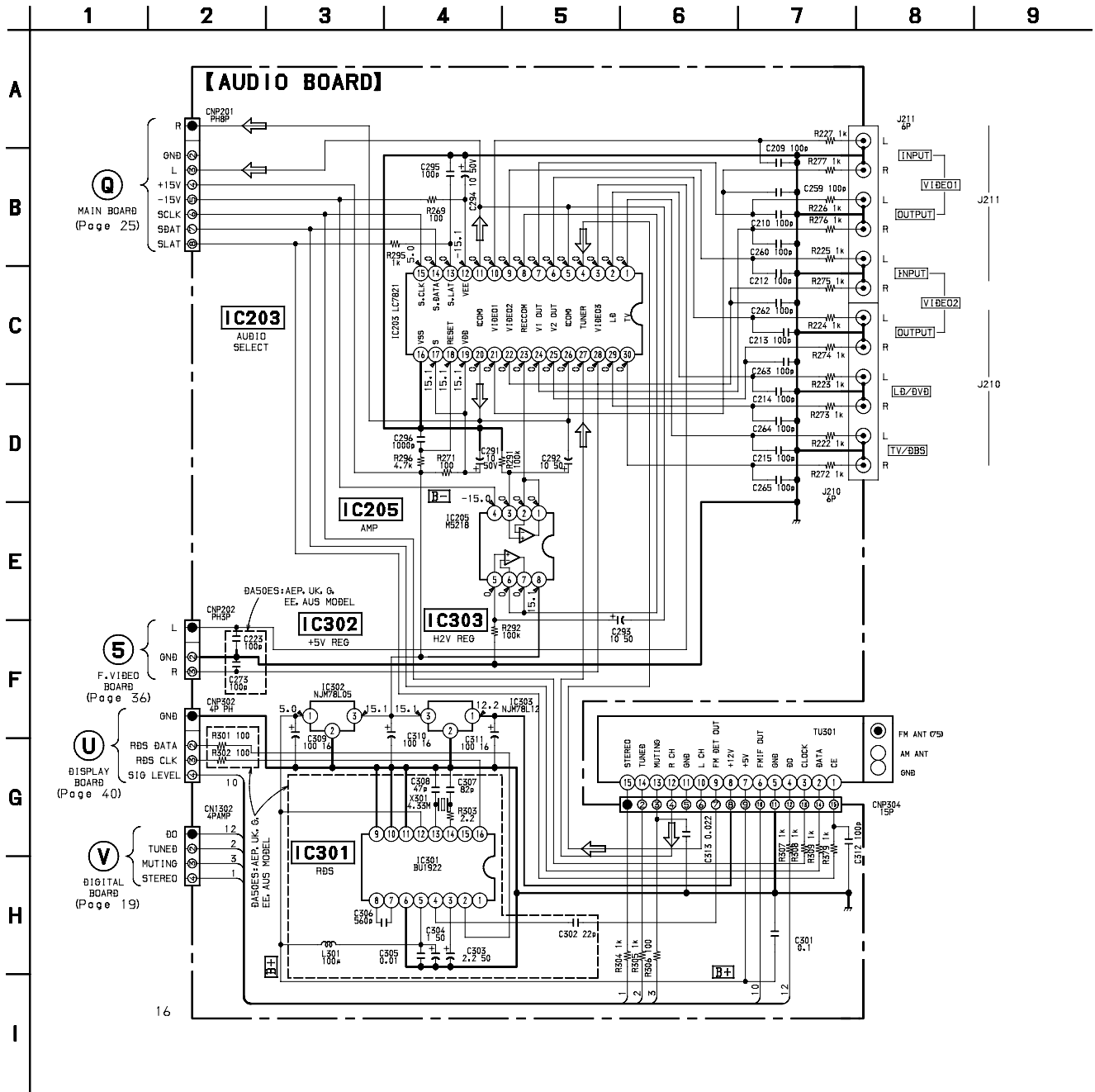


1 2 3 4 5 6 7 8 9 10 11 12 13 14 15 16 17 18 19 20 21 22 23

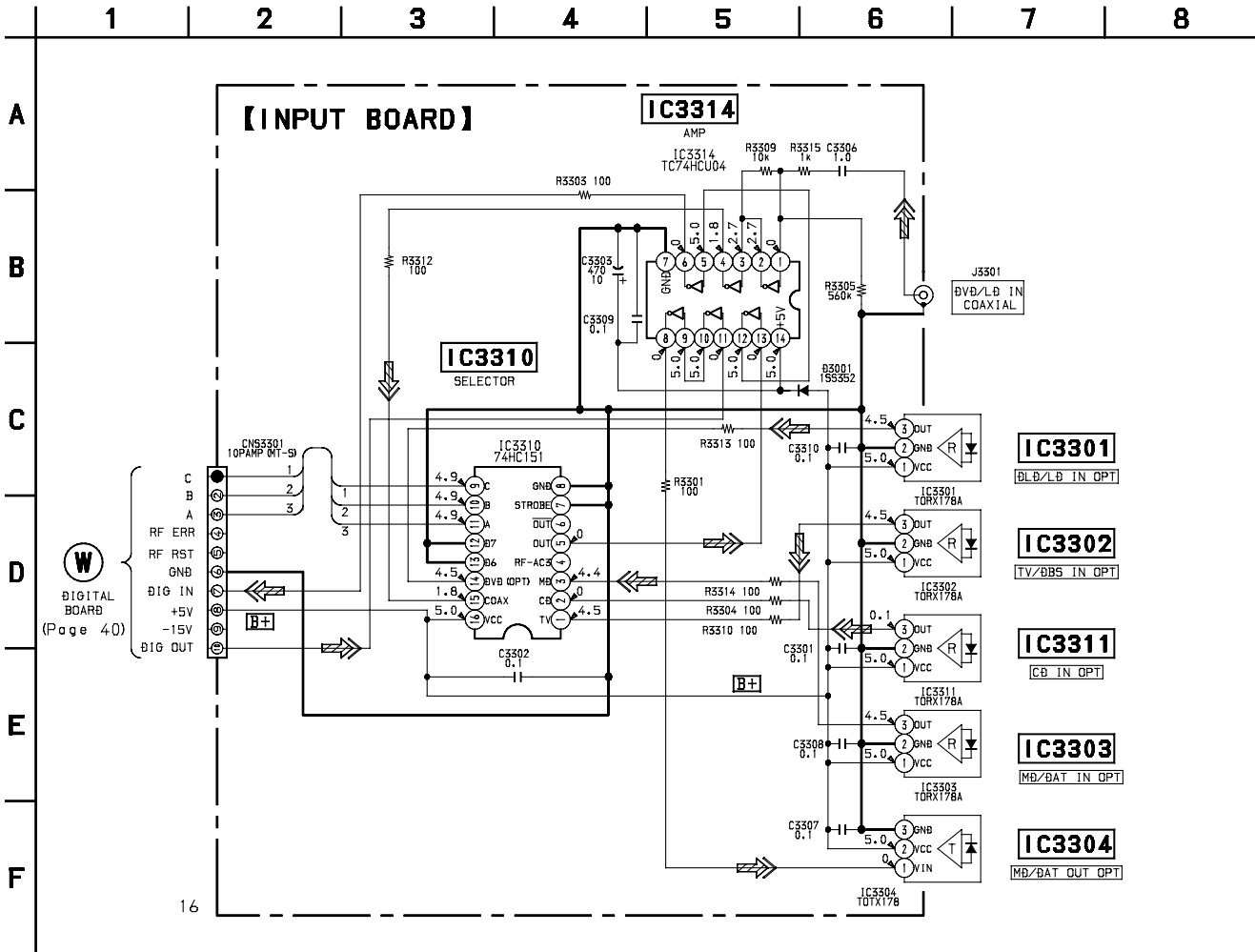


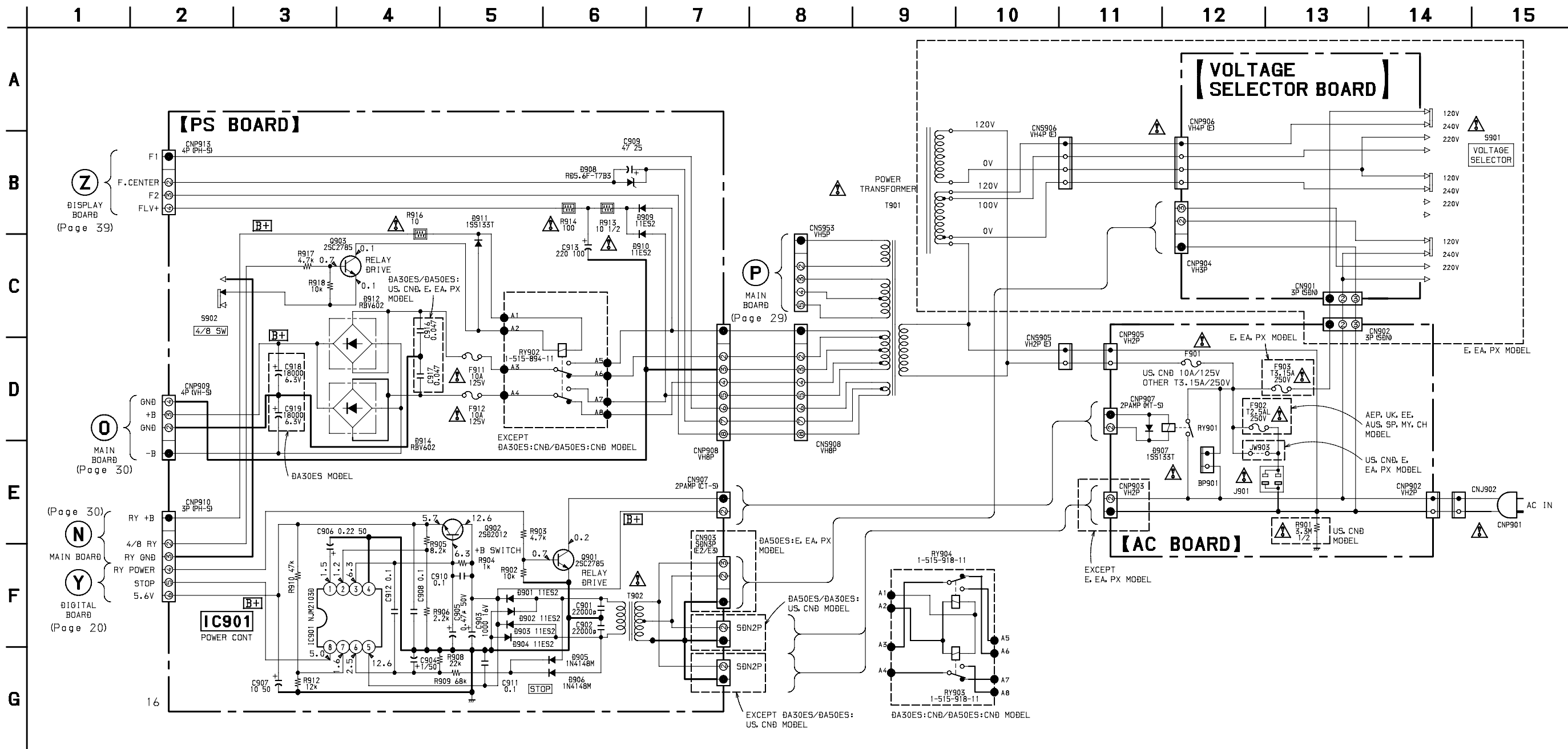


<p>以阴影和 Δ 标志来识别的零部件，在安全方面具有关键性。因此只能以规定号码的零部件来更换。</p>	<p>Note: The components identified by mark Δ or dotted line with mark Δ are critical for safety. Replace only with part number specified.</p>	<p>Note: Les composants identifiés par une marque Δ sont critiques pour la sécurité. Ne les remplacer que par une pièce portant le numéro spécifié.</p>
--	--	--



4-22. SCHEMATIC DIAGRAM — INPUT SECTION —

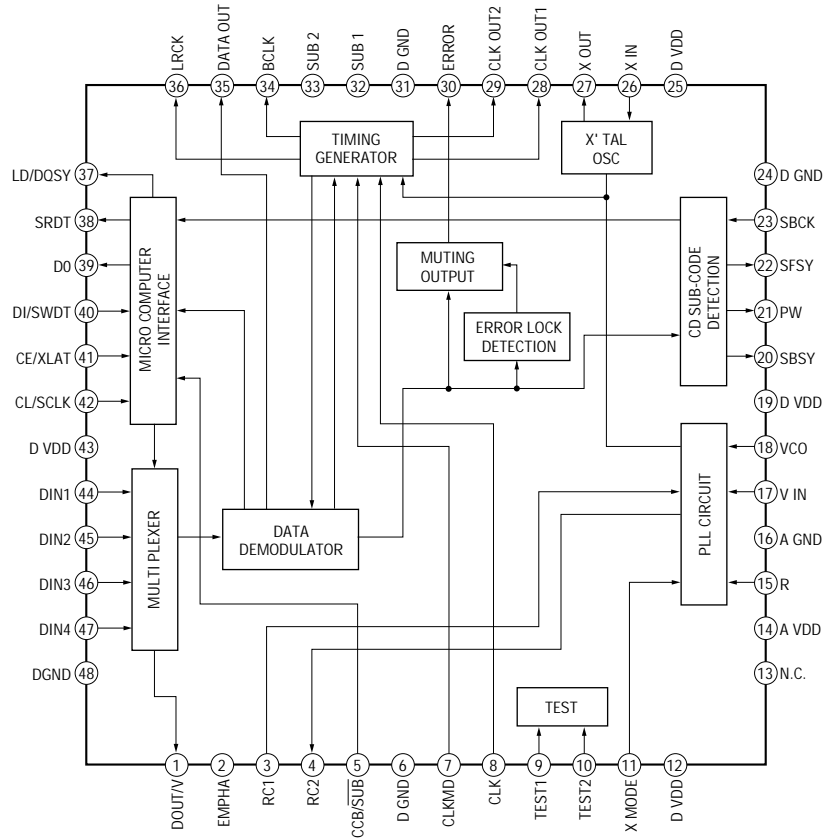




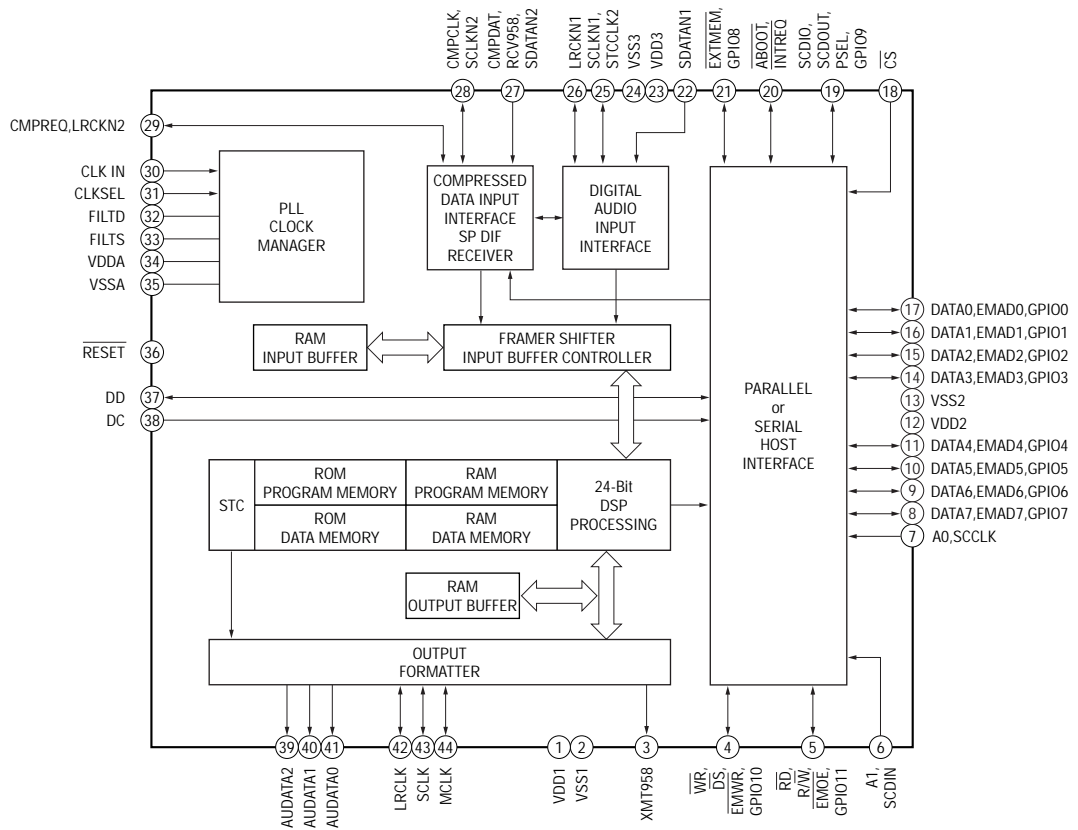
<p>以阴影和 Δ 标志来识别的零部件，在安全方面具有关键性，因此只能以规定号码的零部件来更换。</p>	<p>Note: The components identified by mark Δ or dotted line with mark Δ are critical for safety. Replace only with part number specified.</p>	<p>Note: Les composants identifiés par une marque Δ sont critiques pour la sécurité. Ne les remplacer que par une pièce portant le numéro spécifié.</p>
--	--	--

4-26. IC BLOCK DIAGRAMS

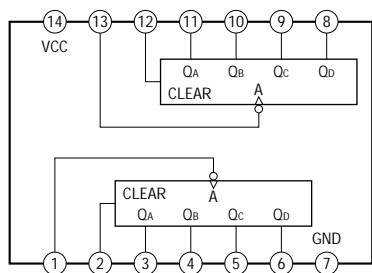
IC1101 CXD8495AQ (DIGITAL BOARD)



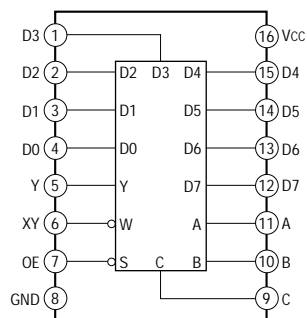
IC1106 CS4926 (DIGITAL BOARD)



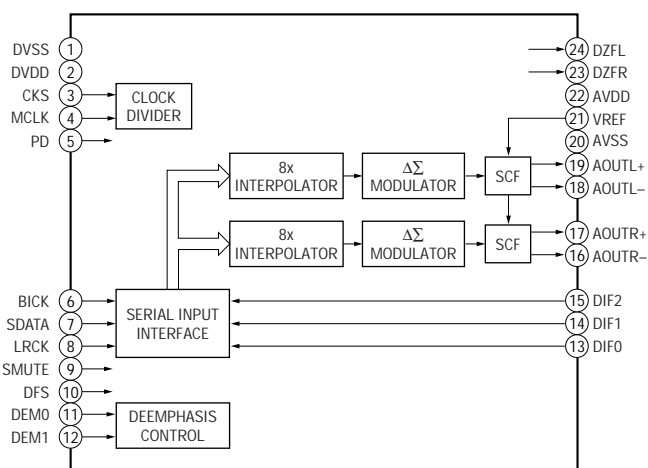
IC1109 TC74VHC393FT(EL) (DIGITAL BOARD)



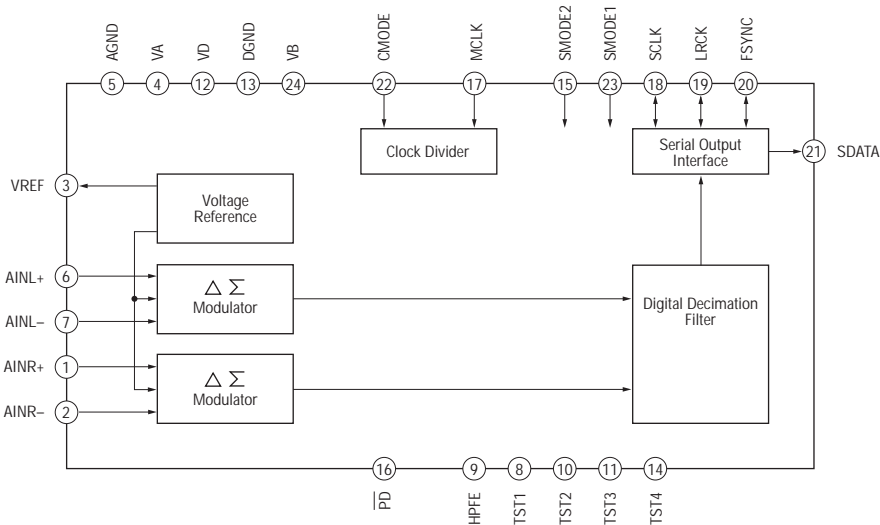
IC3310 TC74HC151AF (DIGITAL BOARD)



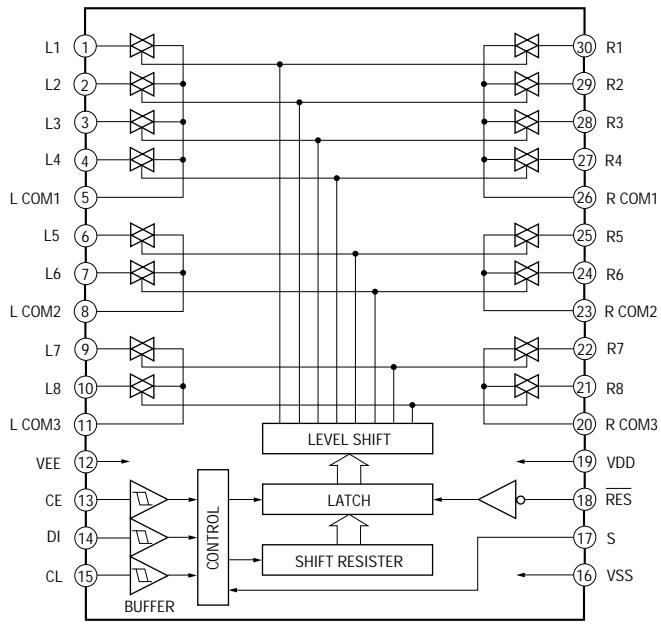
IC1202 AK4324-VF-E2 (DIGITAL BOARD)



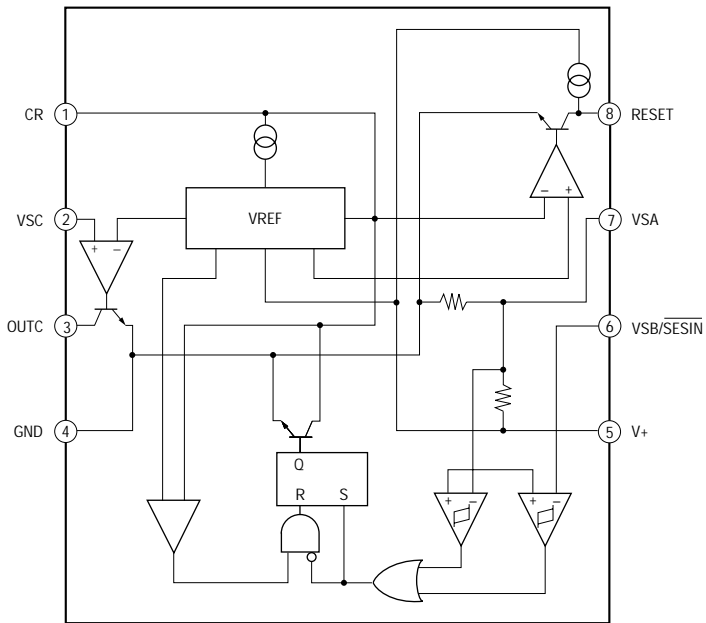
IC1210 AK5352-VF-E2 (DIGITAL BOARD)



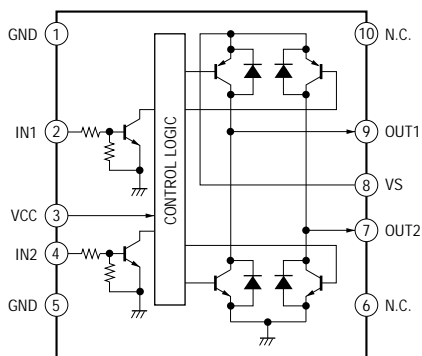
IC202,203 LC7821 (MAIN/AUDIO BOARD)



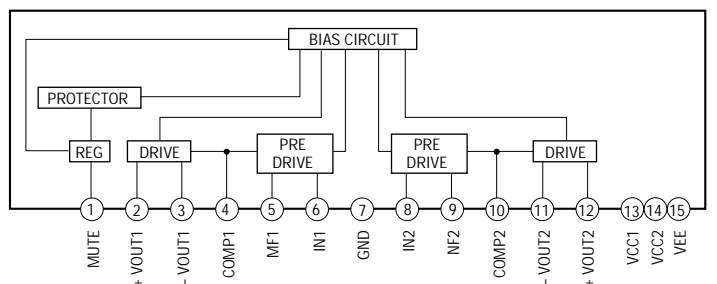
IC901 NJM2103D (PS BOARD)



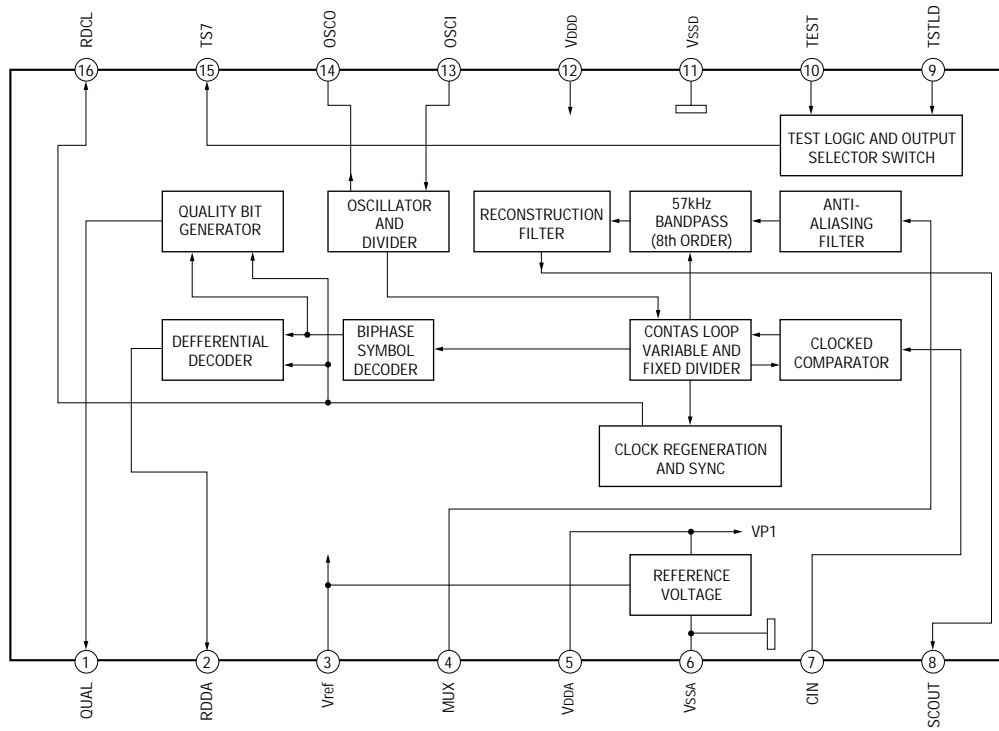
IC103 LB1638M (DISPLAY BOARD)



IC501,601,701 uPC2581V (S.AMP/MAIN BOARD)



IC301 BU1922 (AUDIO BOARD)



IC351 LC7822 (MAIN BOARD)

IC811,812,813 NJM2296D (S.VIDEO/VIDEO BOARD)

